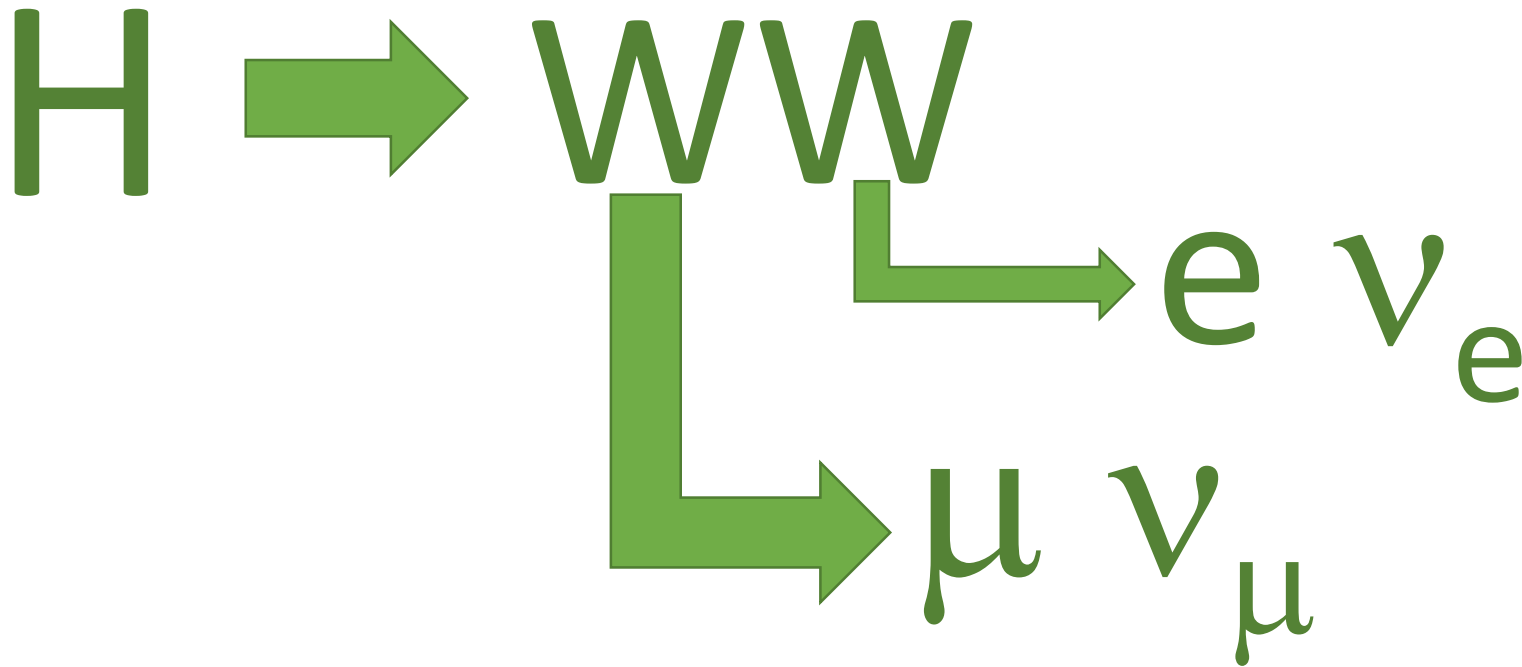


Higgs Boson Decay to WW

Specifically WW that decays to electron/electron neutrino and muon/muon neutrino



Gynell Higby

Dr. Strauss

Tools

Particle Adventure:
More for
understanding
ideas

Root:
root-tuples and
n-tuples



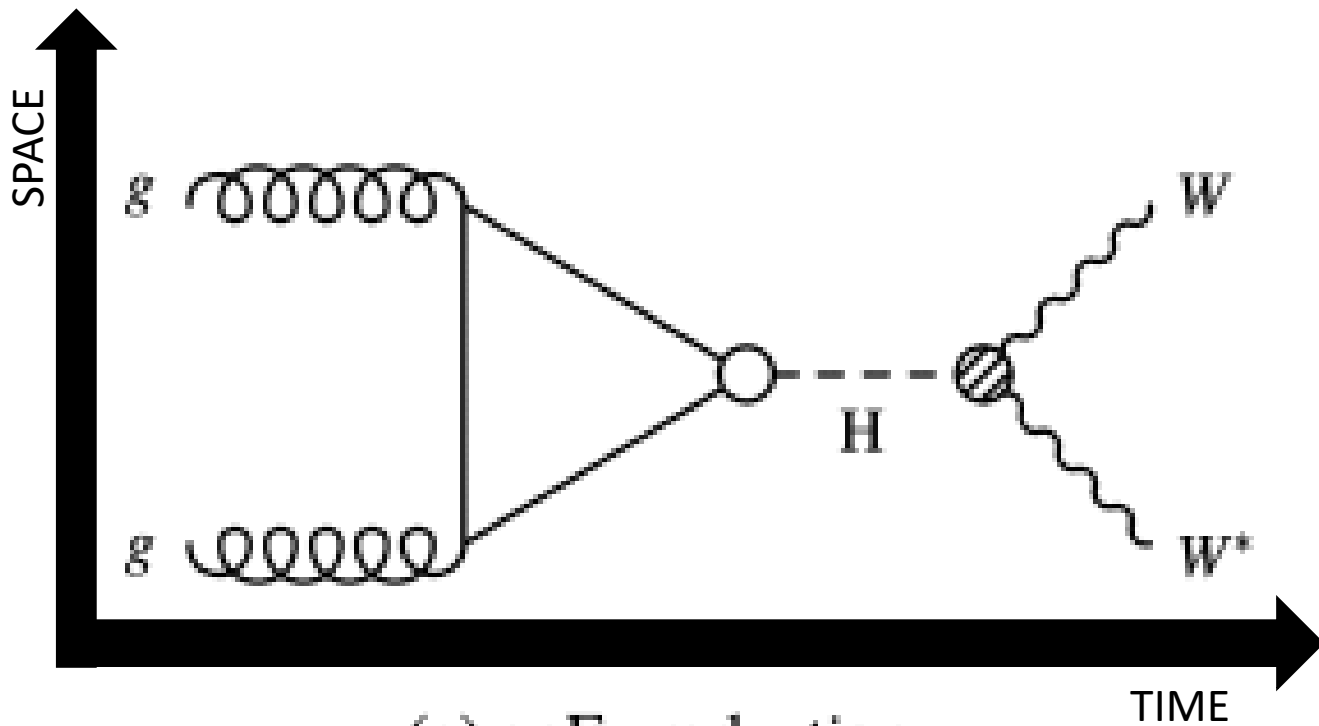
ROOT
Data Analysis Framework



<https://www.putty.org/>

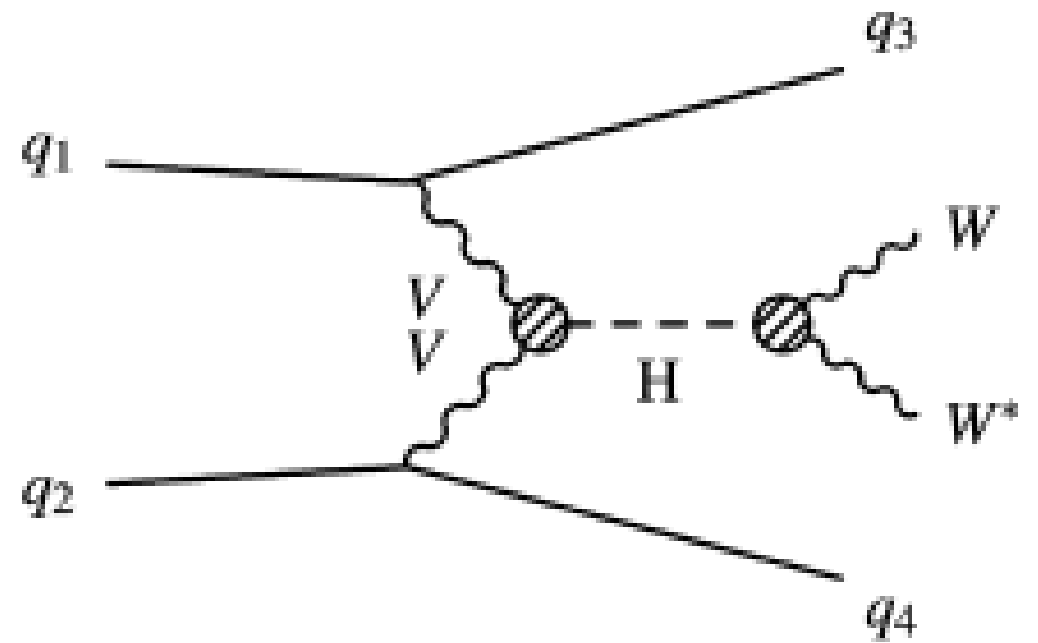
https://root.cern.ch/img/logos/ROOT_Logo/

Gluon-Gluon Fusion

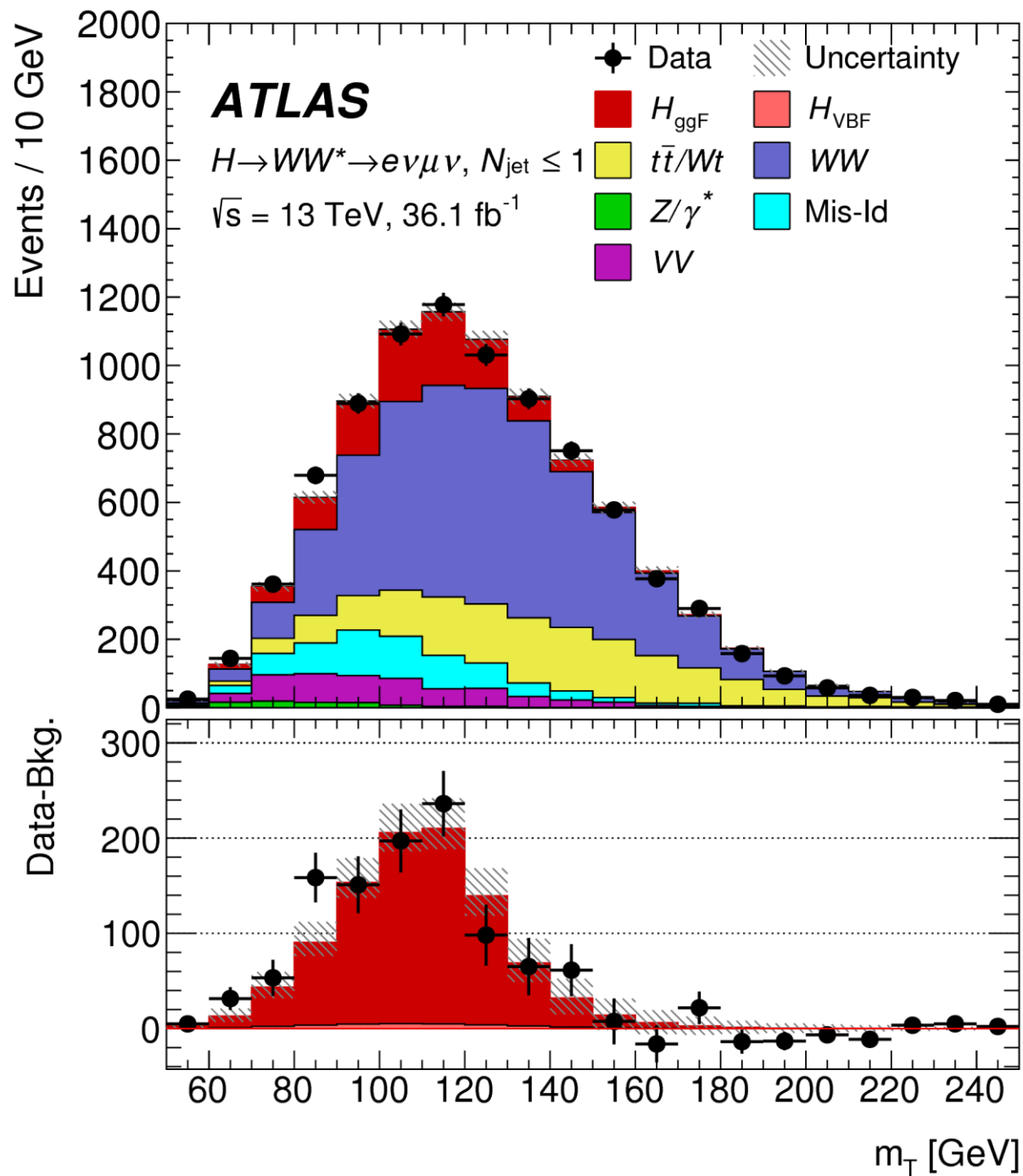


(a) ggF production

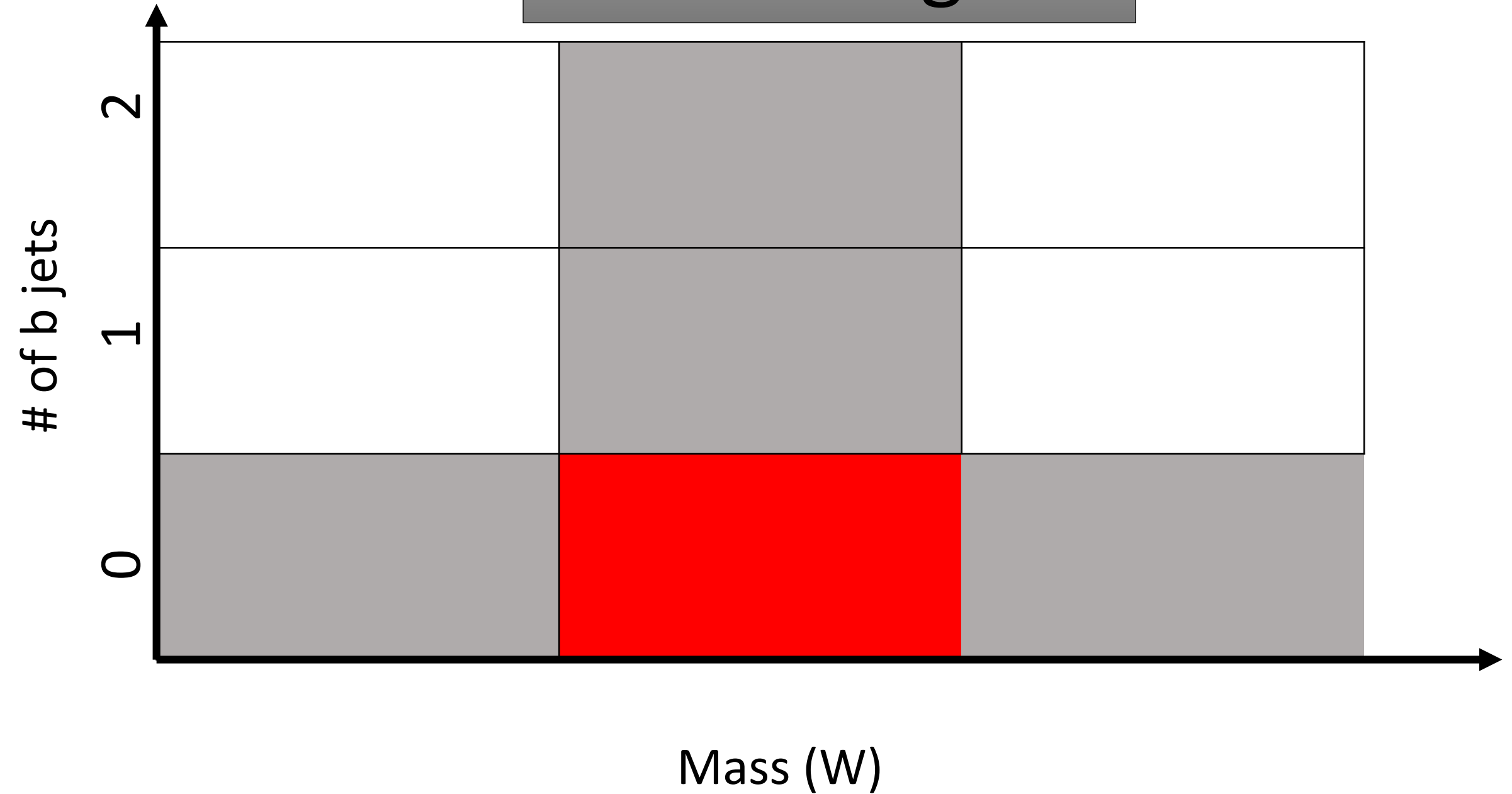
Vector-Boson Fusion



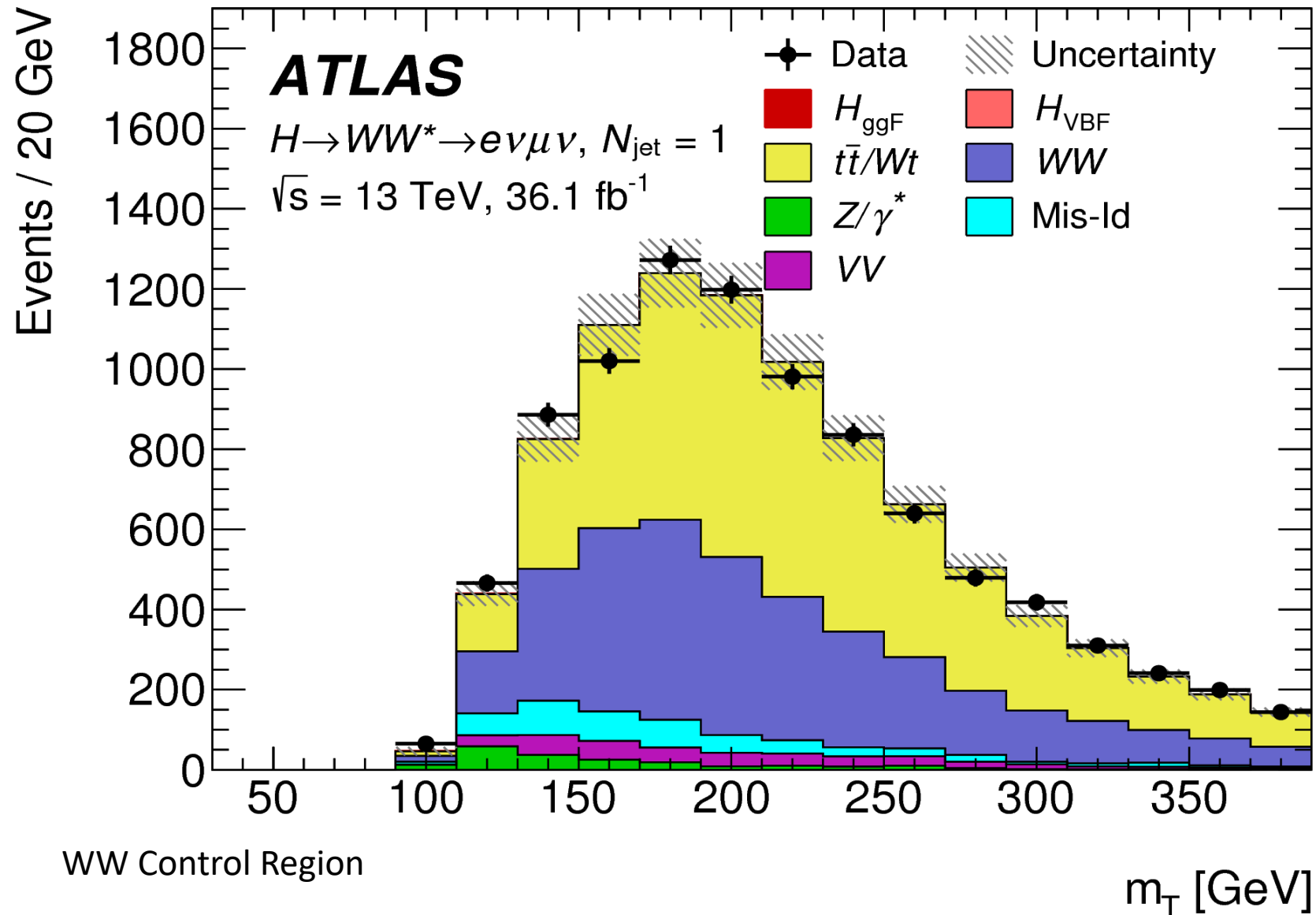
(b) VBF production



Control Regions



What is next?





Questions?